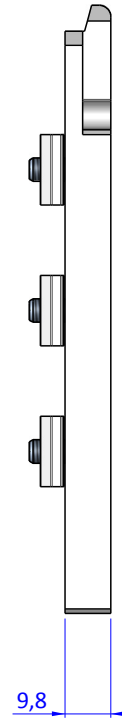
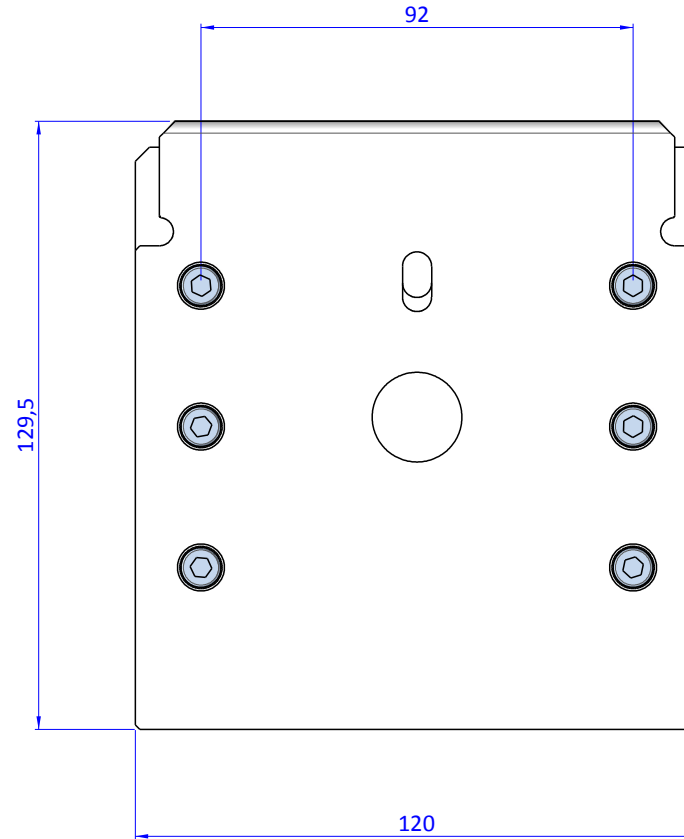
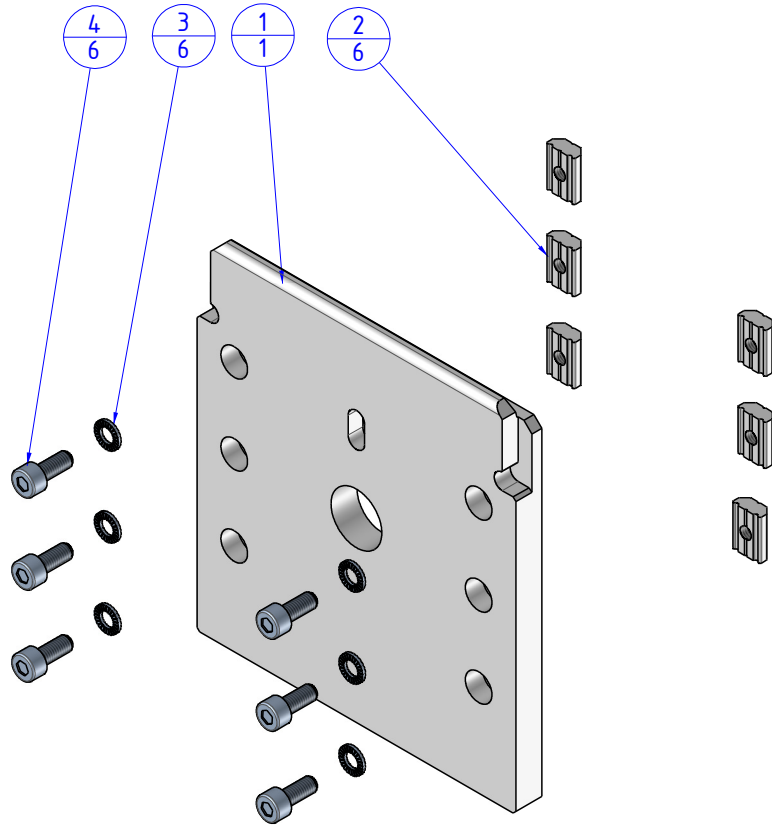


THE PROPERTY OF THE DRAWING IS ESTABLISHED BY LAW. IT IS FORBIDDEN TO PRODUCE OR SHOW IT TO THIRD PARTY, WITHOUT A WRITTEN AGREEMENT.

Item	Name	Q. ty
1	CA.01.02.004A	1
2	CA.GWP.5U	6
3	R.5.SCH	6
4	V.TCE5x12	6



Format A3

UNI 936-76

FP SERVICES AUTOMATION		DESIGNED FROM FPSERVICES	REVIEW A
GENERAL TOLERANCE UNI - ISO 2768 CLASSE f	DESCRIPTION CA.01.02.004A.X	DATE 30/04/2016	WEIGHT 0,426kg
		CODE CA.01.02.004A.X	